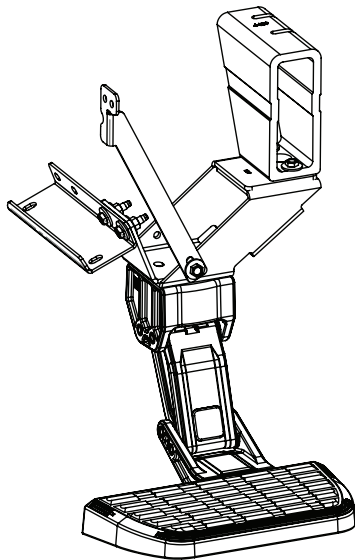
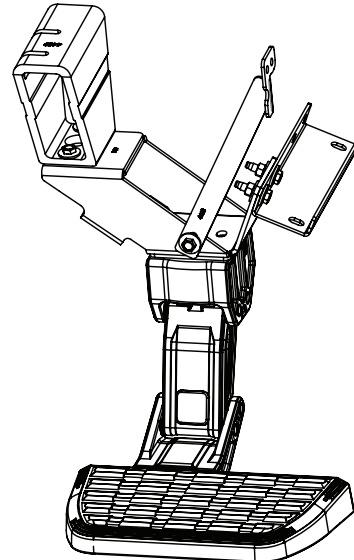


Components must be configured for Passenger or Drivers-Side as shown.

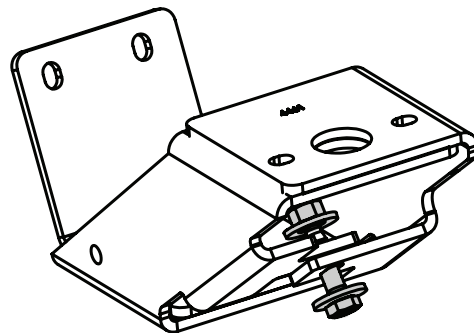


Driver-Side Orientation



Passenger-Side Orientation

Using a 13mm Socket and wrench assemble the lateral mounting bracket. Use bolts (#12) and nuts (#13). Note orientation of bracket. Torque bolts to 16 ft-lbs.

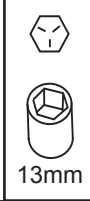
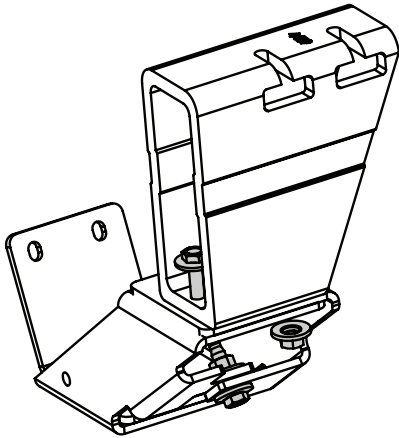


1

AMP RESEARCH TECH SUPPORT 1-888-983-2204 (Press 2) Monday - Friday, 6:00 AM - 5:00 PM PST

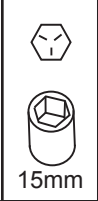
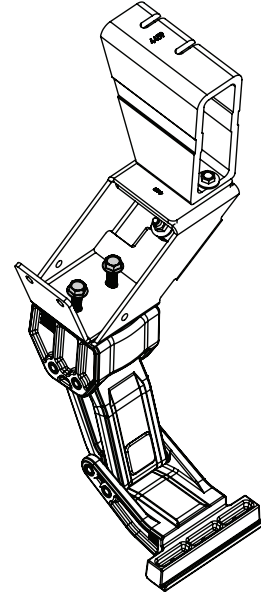
BedStep2™ is invented, designed, engineered and manufactured exclusively by AMP Research and may be covered by one of the following patents: 6,641,158; 6,830,257; 6,938,909; 7,055,839; 7,380,807; 7,398,985; 7,584,975. Made in USA © 2011 AMP Research
Three-year limited warranty. Professional installation is recommended.

Using a 13mm Socket and wrench assemble the frame mount to the lateral mounting brackets. Use bolts (#10) and nuts (#13). Note orientation of brackets. Torque bolts to 16 ft-lbs.



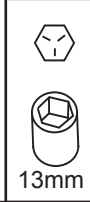
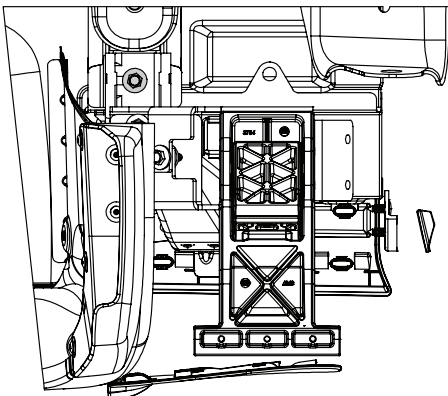
2

Assemble Linkage to bracket assembly using a 15mm Socket or wrench. Use supplied flange Bolts (#9). Torque Bolts to 20ft-lbs.



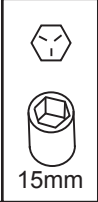
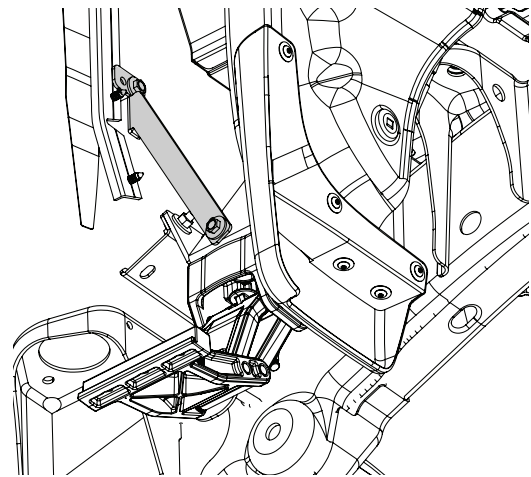
3

Remove factory bolt in bed channel using 13mm socket or wrench. Use supplied M8 bolt (#10) and thread in approx. half way. Slide linkage assembly into place. Snug bolt up and allow linkage assembly to rotate side to side.



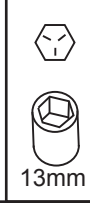
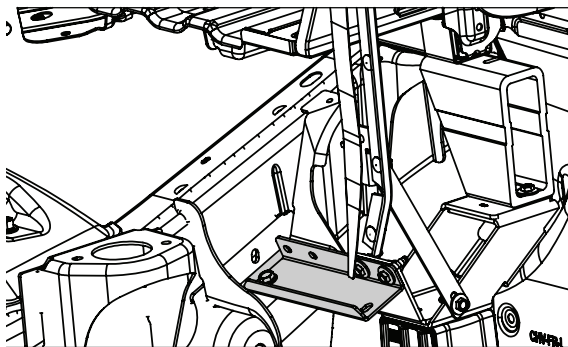
4

Using supplied M8 hardware Bolts (#12) Nuts (#13) mount support bracket to inner bed panel and lateral bracket as shown.



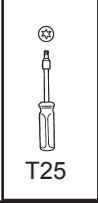
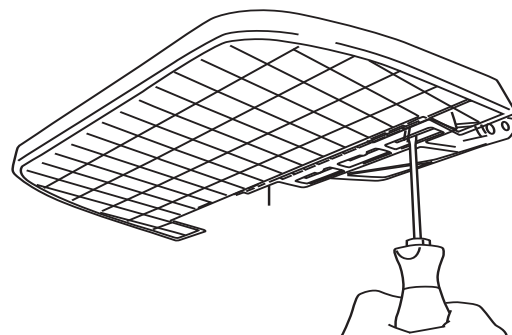
5

Using supplied M8 hardware Bolts (#12) Nuts (#13) and M10 bolt (#9) and nut (#8) mount frame support bracket to lateral bracket as shown.



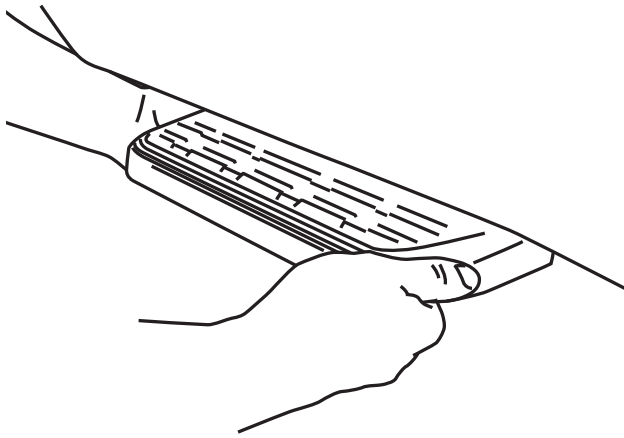
6

Offset step pad forward and secure using provided PT Screws. Tighten to 5ft-lbs using a T25 Torx bit. Verify Step pad alignment to body line of vehicle. Once step pad is in line to vehicle torque all bracket hardware to 16ft-lbs.



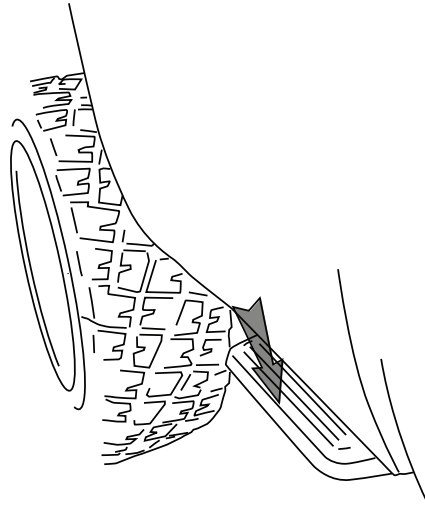
7

Verify step pad alignment to body line of vehicle.



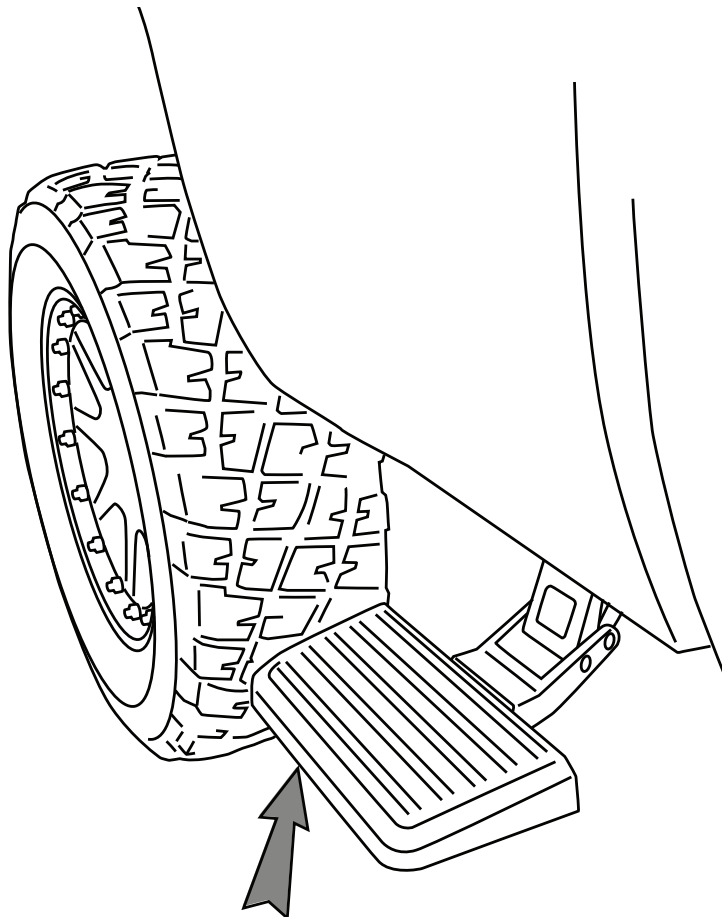
8

To deploy the step, press down using your foot on the outside edge of the step pad.



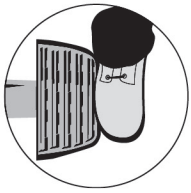
9

To retract, gently kick up on the underside of the step pad.





Congratulations on your purchase of the genuine AMP Research BedStep2™. Here's what you should know...



BEDSTEP2™ OPERATION

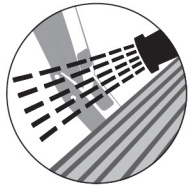
The AMP Research BedStep2™ is foot operated and deploys and retracts with a nudge of your foot. To deploy, press down using your foot, on the outside edge of the step pad.

Maximum load capacity of the deployed step pad is 300 lbs.

Always use appropriate hand holds when stepping up to or down from your truck's cargo bed.



To retract, gently kick up on the underside of the step pad.



MAINTENANCE TIPS - The stepping surface and linkage should be periodically washed with mild soap and water using a soft brush or sponge to dislodge any mud, dirt or accumulated road grime.

In severe driving conditions, pressure washing the linkage is strongly recommended.

Do not apply silicone spray, waxes or protectants like Armor All® to the stepping surfaces.

CAUTION! BEDSTEP2™ SHOULD ALWAYS BE STOWED IN THE RETRACTED POSITION WHEN DRIVING.

AMP RESEARCH LIMITED WARRANTY

AMP RESEARCH warrants this product to be free from defects in material and workmanship for THREE (3) YEARS FROM DATE OF PURCHASE, provided there has been normal use and proper maintenance. This warranty applies to the original purchaser only. All remedies under this warranty are limited to the repair replacement of the product itself, or the repair or replacement of any component part thereof, found by the factory to be defective within the time period specified. The decision to repair or replace is wholly within the discretion of the manufacturer.

This warranty specifically excludes labor. If you have a warranty claim, first you must call our factory at the number below for instructions. You must retain proof of purchase and submit a copy with any items returned for warranty work. Upon completion of warranty work, if any, we will return the repaired or replaced item or items to you freight prepaid. Damage to our products caused by accidents, fire, vandalism, negligence, misinstallation, misuse, Acts of God, or by defective parts not manufactured by us, is not covered under this warranty.

ANY IMPLIED WARRANTIES OF MERCHANTABILITY AND/OR FITNESS FOR A PARTICULAR PURPOSE CREATED HEREBY ARE LIMITED IN DURATION TO THE SAME DURATION AND SCOPE AS THE EXPRESS WRITTEN WARRANTY. OUR COMPANY SHALL NOT BE LIABLE FOR ANY INCIDENTAL OR CONSEQUENTIAL DAMAGE.

Some states do not allow limitations on how long an implied warranty lasts, or the exclusion or limitation of incidental or consequential damages, so the above limitations or exclusions may not apply to you. This warranty gives you specific legal rights, and you may also have other rights that vary from state to state.

FOR WARRANTY ISSUES WITH THIS PRODUCT PLEASE CALL AMP RESEARCH CUSTOMER SERVICE 1-888-983-2204

WARNING

Be sure to read and precisely follow the provided instructions when installing this product. Failure to do so could place the vehicle occupants in a potentially dangerous situation. After installing or reinstalling, re-check to insure that the product is properly installed.