



FRONT KITS:
 Jeep Wrangler JK BedRug/BedTred
 Interior Installation Instructions

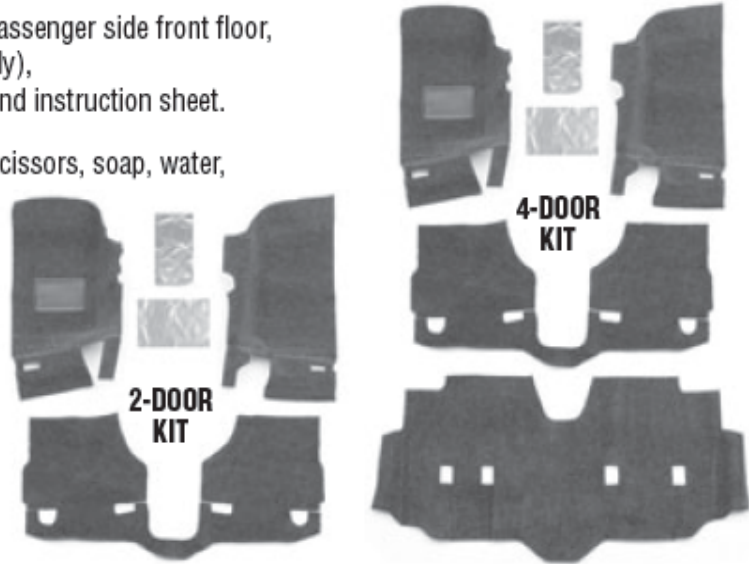
BRJK11F2, BTJK11F2,
 BRJK07F2, BTJK07F2,
 BRJK07F4, BTJK07F4



Congratulations on choosing the finest interior flooring kit available for your Jeep. The BedRug/BedTred material is mold and mildew resistant, easily cleaned with water & holds cleaning chemicals and extremely resistant to other chemicals.

- **Kit Contents:** Driver side front floor, passenger side front floor, mid section, rear floor (4-door kits only), heat shield material, hook fasteners, and instruction sheet.
- **Tools needed:** Flathead screwdriver, scissors, soap, water, and rubbing alcohol.

NOTE: If you have purchased both a front and a rear kit, it is recommended to install the rear kit first.



PREPARATION

1. Read all instructions before beginning installation.



2. **WARNING:** The use of front floor mats is not recommended with BedRug or BedTred floor kits. If floor mats are used, it is imperative to re-use the removable retention hooks from the factory carpet, installed to the manufacturer's specifications.

Do not use floor mats or liners with BedTred Kits, Do not use floor mats or liners with BedRug Kits without retention hooks.
****Please retain these instructions for future reference in your vehicles glove box****



DON'T REMOVE YOUR SEATS!

Our kits and your factory carpet are pre-cut to make removing your seats unnecessary.

3. Remove old Jeep flooring material (if equipped)
4. Wash and dry the floor pan areas thoroughly.

5. Place the hook fasteners on each piece of loop sewn on the back side of the BedRug. For BedTred installation, place the hook fasteners to the loop surface on the underside of the BedTred. Use drawing on **Page 4** for proper location.

6. Cut the hook fasteners with tape backing to match the length of the loop sewn on the underside of each BedRug piece. Pre-install provided heat shields on underside of the two front pieces in areas (see **Page 4**), using the locator marks. (**Fig. 1**) Note: Passenger side heat shield is the larger of the two pieces.

FIGURE 1: HEAT SHIELDS



IMPORTANT: Jeep floor should be at least 68°F (20°C) for maximum adhesion. Clean all areas with rubbing alcohol before applying tape. When removing backing, do not touch adhesive.

INSTALLING FRONT FLOOR PIECES

7. Adjust the front seats to the rear most position to allow maximum clearance for installation. Place front floor pieces into place. Tuck under console and around seat brackets as shown. (**Fig. 2 and Fig. 3**)
8. Once properly aligned, pull back part to access the three pieces of hook fastener (**Fig. 4**). Clean surface with alcohol then remove the film backing and roll the part back into place. Firmly press the top surface to ensure adhesive attachment. Repeat for other front floor piece.



FIGURE 2:



FIGURE 3:

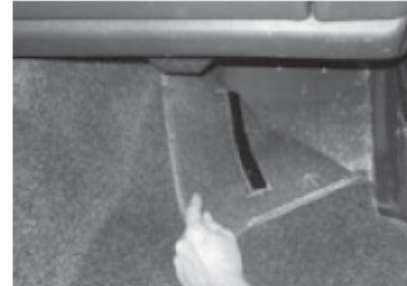


FIGURE 4:

INSTALLING MID SECTION

9. Adjust the front seats to the fully forward and tilted up (2-door passenger entry) position. Next place the mid section into place. Position the mid section around seat brackets (**Fig. 5 and Fig. 6**) and tuck under cupholder and console. (**Fig. 7**)
10. Once properly aligned, pull back part to access the four pieces of hook fastener. Clean surface with alcohol then remove the film backing and roll the part back into place. Firmly press the top surface to ensure adhesive attachment.



FIGURE 5:



FIGURE 6:



FIGURE 7:

INSTALLING REAR FLOOR (4-DOOR ONLY)

11. Place the rear floor section into place. Tuck the liner around and underneath the front and rear seat brackets (**Fig. 8 and Fig. 9**)

12. Once properly in place, pull back part to access the four pieces of hook fastener. Clean surface with alcohol then remove the film backing and roll the part back into place. Firmly press the top surface to ensure adhesive attachment.



FIGURE 8:

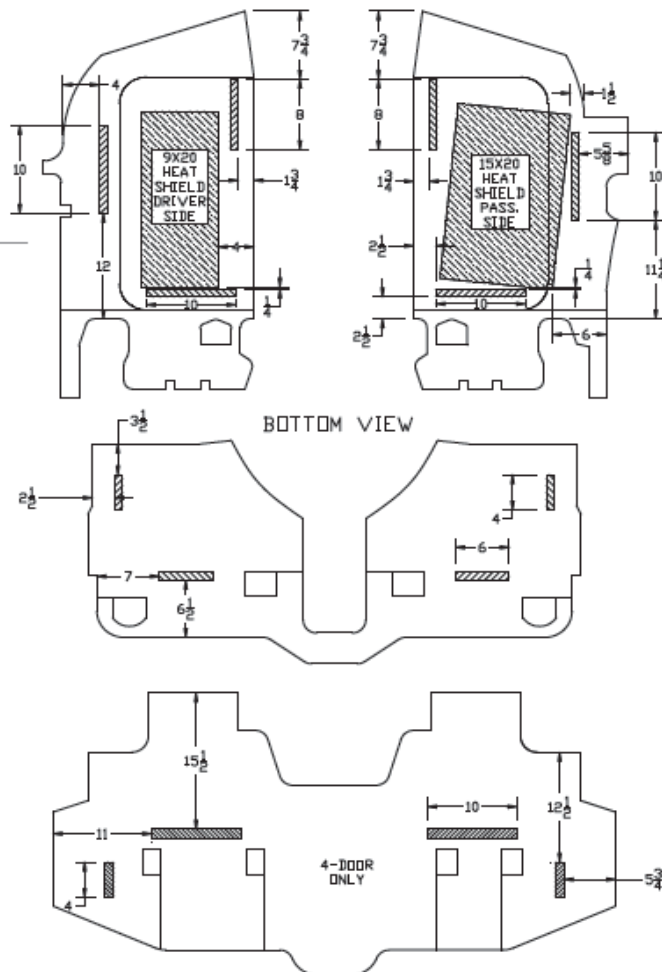


FIGURE 9:

FITMENT NOTE: The rear floor section is designed to fit on top of the rear wheel well pieces.

BEDTRED HOOK & LOOP PLACEMENT

NOTE: Diagram is shown from bottom view.





REAR KITS: BRJK07R4, BRJK07R2, BTJK07R4, BTJK07R2, BRJK11R4, BRJK11R2, BTJK11R4, BTJK11R2

Jeep Wrangler JK BedRug/BedTred Interior Installation Instructions



Congratulations on choosing the finest interior flooring kit available for your Jeep. The BedRug/BedTred material is mold and mildew resistant, easily cleaned with water & household cleaning chemicals and extremely resistant to most chemicals.

- **Kit Contents:** Driver side wheel well, passenger side wheel well, rear cargo floor, tub liner, tailgate piece, hook fasteners, 3M adhesive promoter and instruction sheet.
- **Tools needed:** Utility knife, soap, water and rubbing alcohol



PREPARATION

1. Read all instructions before beginning installation.
2. Remove old Jeep flooring material (if equipped). On 2-door JK models, removal of the rear seat will also be necessary. For the 4-door, removal of the rear seat is NOT necessary
3. Wash and dry the floor pan and wheel well areas thoroughly.
4. Cut the hook fasteners with tape backing to match the length of loop sewn on the underside of each BedRug piece. Place the hook onto each location. Do not remove the tape backing at this time. (Cut the longest pieces first.) Refer to drawing on **Page 4**. For BedTred hook fastener installation; cut hook fasteners to length and install in locations notated on **Page 4**.

IMPORTANT: Jeep floor should be at least 68°F (20°C) for maximum adhesion. Clean all areas with rubbing alcohol before applying tape. When removing backing, do not touch adhesive. If both front and rear kits were purchased be sure to install the rear cargo area first.

INSTALLING THE WHEEL WELLS

5. Fit driver side wheel well piece into place, fitting around seat belt mount and roll bar. (**Fig. 1 and Fig. 2**) Like the factory carpet kit, there is a flap at the bottom of both wheel well pieces designed to roll onto the cargo floor. Cargo floor piece will overlap flap. **NOTE:** On 2-door JK, removing the rear seat will be necessary for installation.



FIGURE 1:



FIGURE 2:

BEDRUG, INC. ■ 635 Old Hickory Blvd, Old Hickory, TN 37138-3162 ■ 800-462-8435 ■ bedrug.com

BR-BTJK07RINST

REV. 4 7/17/2014

Page 1 of 5

6. Next pull up bottom of wheel well piece to access hook fastener. Clean surface with alcohol then remove the film backing and roll the part back into place. Firmly press the top surface to ensure adhesive attachment.
7. Now pull down the top of the wheel well piece to access the hook fastener. Clean the surface with alcohol then remove the film backing and roll the part back into place. (Fig. 3) Firmly press the top surface to ensure adhesive attachment.
8. Material should be tucked behind plastic cladding equipped on 2011– current Jeep JK models. (Fig. 4)
9. Repeat steps 5 through 8 for the passenger side wheel well.



FIGURE 3:



FIGURE 4:

INSTALLING TUB LINER

10. Fold back factory hinged lid and remove OE plastic tub insert (if equipped). **NOTE:** OE plastic tub may be reinstalled on top of the BedRug tub liner. Some trimming modifications will be necessary to allow OE tub insert. See drawing on **Page 4**. OE Plastic insert cannot be used with BedTred tub liner. You may use one or the other.
11. Position provided liner in empty tub cavity, ensuring lid latch is pushed thru the material. Now fold the liner edges to access the hook fasteners. Clean the surface with alcohol then remove the film backing and roll the part back into place. (Fig. 5) Firmly press the top surface to ensure adhesive attachment.



FIGURE 5:

INSTALLING CARGO AREA FLOOR

12. If equipped, cut at score lines on back of floor for access to factory tie downs. Position cargo floor liner into rear of Jeep. **NOTE:** Part is designed to fit on top of the factory carpeted lid. There is an access flap precut in the floor for the lid retaining ring.

13. After properly positioned, pull up the edges of cargo floor piece to access the hook fasteners. Clean painted surfaces with alcohol then remove the film backing. Firmly press the top surface to ensure adhesive attachment. (Fig. 6)
14. Hook fastener at rear edge of cargo floor attaches directly to the carpet surface on the factory lid.

NOTE: It will be necessary to use the supplied adhesive promoter pack (3M-4298) on the plastic cladding present on 2011–current JK models where adhesive makes contact. (Fig. 7). Trim the rear corners of cargo area floor piece, if equipped with plastic cladding, using the score marks on the back of the part. See diagram on next page.

NOTE: Additional trimming will be necessary on the passenger side of cargo floor for 2011–current JK models equipped with factory sub woofer option. Use a utility knife with a sharp blade, cut at score line on back of part, and tuck material under plastic cladding. (Fig. 8).



FIGURE 6:



FIGURE 7:



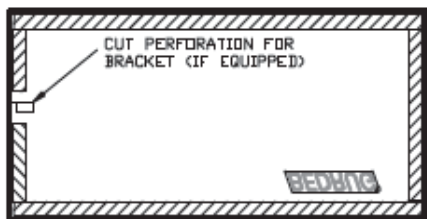
FIGURE 8:

15. Now repeat the process for the hook fastener in front of the rear seat (2-door models) and underneath the rear seat (4-door models) where the two floor pieces meet.

NOTE: If both front and rear kits are being installed the floor piece in the rear passenger area should overlap the wheel well pieces and the rear floor piece.

INSTALLING TAILGATE PIECE

16. Position tailgate liner then clean surface with alcohol then remove film backing from fastener and attach to the tailgate. Firmly rub entire surface to ensure good attachment. (Fig. 9 and Fig. 10)



NOTE: Cut opening at perforation if tailgate has metal arm.



FIGURE 9:

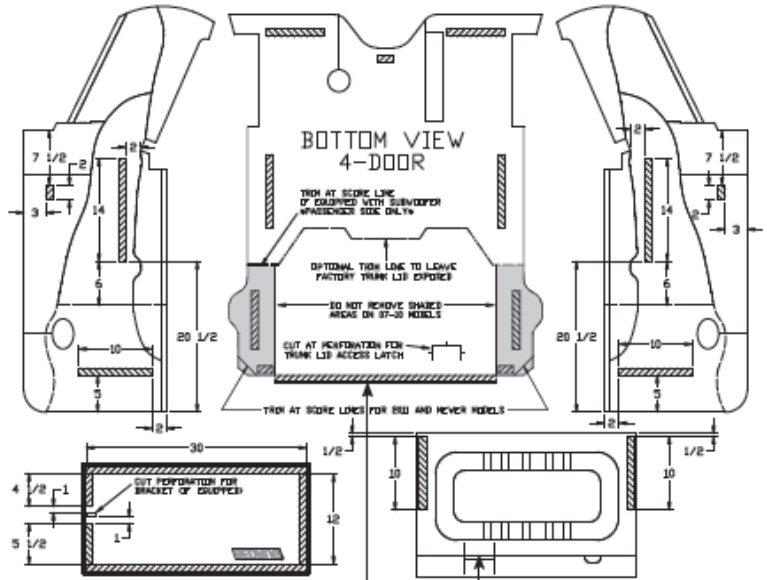


FIGURE 10:



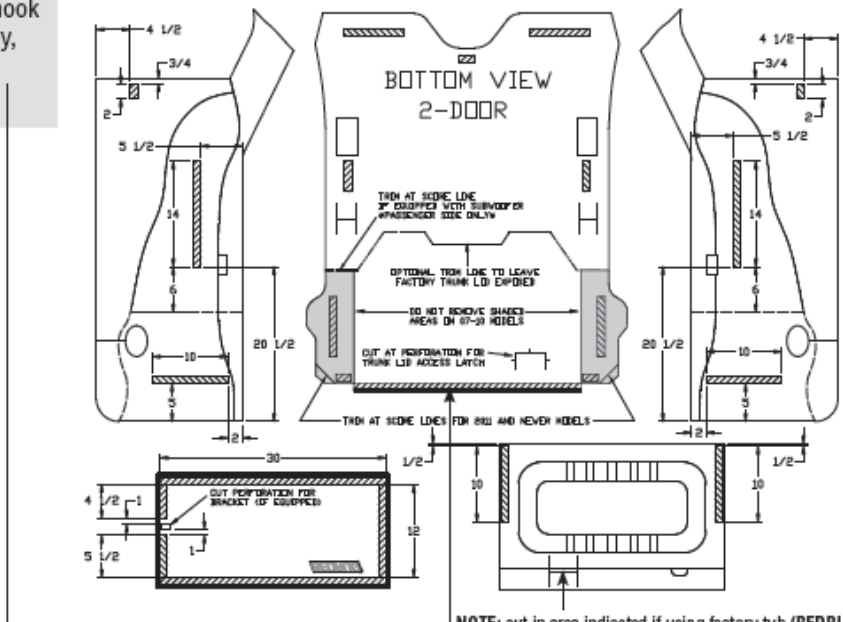
BEDTRED HOOK & LOOP PLACEMENT & BEDRUG TRIMMING INSTRUCTIONS.

NOTE: Cargo floor has high cycle loop fasteners pre-installed at the factory (see drawing). Apply hook fasteners to these pre-installed loop fasteners.



NOTE: cut in area indicated if using factory tub (BEDRUG ONLY)

NOTE: Cargo floor rear edge has pre-installed hook fastener from the factory, no additional fasteners are needed.



NOTE: cut in area indicated if using factory tub (BEDRUG ONLY)

⚠ WARNING ⚠

The use of front floor mats is not recommended with BedRug or BedTred floor kits. If floor mats are used, it is imperative to re-use the removable retention hooks from the factory carpet, installed to the manufacturer's specifications. Do not use floor mats or liners with BedTred Kits. Do not use floor mats or liners with BedRug Kits without retention hooks.

Please retain these instructions for future reference in your vehicle's glove box

BEDRUG[®] BEDTRED[™] CLEANING INFORMATION

The mildew resistant BedRug/BedTred foam will not absorb liquids. The engineered composite surface resists stains and deterioration from most acids, chemicals, gas and oils, etc. Therefore, by following the cleaning instructions below, your BedRug/BedTred will remain serviceable for as long as you own your vehicle.

Cleaning your BedRug is easy:

1. A vacuum, broom, brush or compressed air can be used to remove dirt, grime, sand, mulch etc. Due to the fact that water will not harm the product, pressure washing is also an effective way to clean a soiled BedRug/BedTred.
2. Although most acids will not harm the BedRug/BedTred, baking soda should be applied immediately to neutralize the acid to ensure the safety of the paint on the vehicle.
3. To clean tougher jobs such as gasoline, oil, chemicals, acid spills or leaks from your BedRug/BedTred use detergent soap with degreaser and water, then rinse thoroughly. This detergent soap is used in most car wash locations with pressure washing equipment. The polypropylene closed-cell foam will not absorb water and the composite surface dries in minutes.

If you have additional questions, call BedRug Inc. customer service at 800-462-8435.

LIMITED WARRANTY

BedRug Inc. warrants BedRug and BedTred products for Jeep vehicles for three years from the original date of purchase. Warranty is limited to the original purchaser and is not transferable. Product is warranted to be free from defects in materials and workmanship. The warranty is void if the product has been damaged by accident, unreasonable use, neglect, improper service/installation/removal, modifications, acts of God, normal wear and tear, or other causes not arising out of defective materials or workmanship. Consequential and incidental damages are not covered under this warranty. Warranty does not cover labor, the cost of shipping, or cost of returning the product for warranty service or inspection. The terms of this warranty may vary from state to state. You may have rights under specific state laws that differ from the terms of this warranty. Proof of purchase will be required for warranty service. Product should be cleaned before return. A return authorization number must be obtained prior to returning any product. For warranty instructions, returns, and packaging contact BedRug Inc. Customer Service at 800-462-8435.

PRODUCT REGISTRATION

Thank you for purchasing your BedRug product! We would appreciate it if you would take a few minutes to register your purchase. Registration allows us to provide, with your permission, important updates, service information, helpful hints or warranty service should you ever require technical support. BedRug offers the option of returning product registration forms electronically, rather than having to fill them out by hand. You can be assured that BedRug does not share or sell the information you provide. Save a copy of your sales receipt. Activate your warranty by registering your product online at <http://www.bedrug.com/customer-service/product-registration.html> or by scanning the QR code. You will need the 6-digit lot and date code found on the underside of the tailgate, see label example below.

