

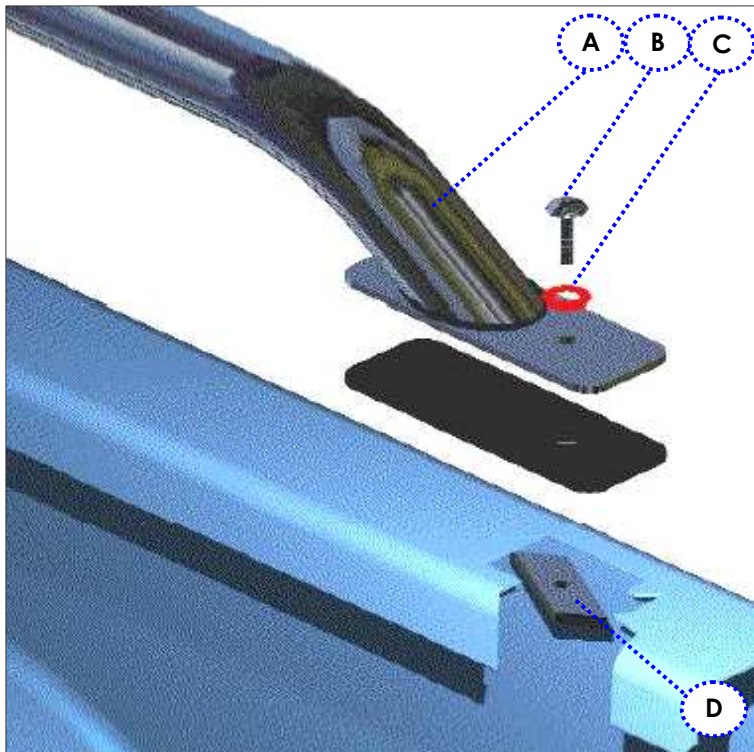
# STAKE POCKET BED RAIL

## INSTALLATION INSTRUCTIONS

Parts List					Required Tools (Not included)	
Item	Qty.	Code	Description	Max. Torque	Qty.	Description
A	1	-	Bed Rail Set		1	7/32" Allen Wrench
B	4	-	3/8" X 2" Allen Head Bolt			
C	4	-	3/8" Nylon Washer			
D	4	-	Rectangular Threaded Plate			

### Instructions

1. Before beginning the installation, please read all directions carefully and verify that all necessary hardware is accounted for. If any parts are missing, stop the installation and contact your distributor immediately.
2. To maintain and care this product, keep it clean and do not use abrasive cleaners or polish waxes. We recommend to use only automotive wax such as pure carnauba to avoid scratches and rust.
3. The approximate installation time is 20 min.
4. Place components as shown on diagram then place the Bed Rail over the Stake Pocket.
5. Attach the Bed Rail in the stake pocket using the allen head bolt and insert the threaded plate into the stake pocket. When the threaded plate spins around it will lock itself inside the stake pocket.
6. Repeat process in each corner and align, tighten all the bolts.
7. Re-tighten all the bolts periodically.



< Diagram



product installed >