



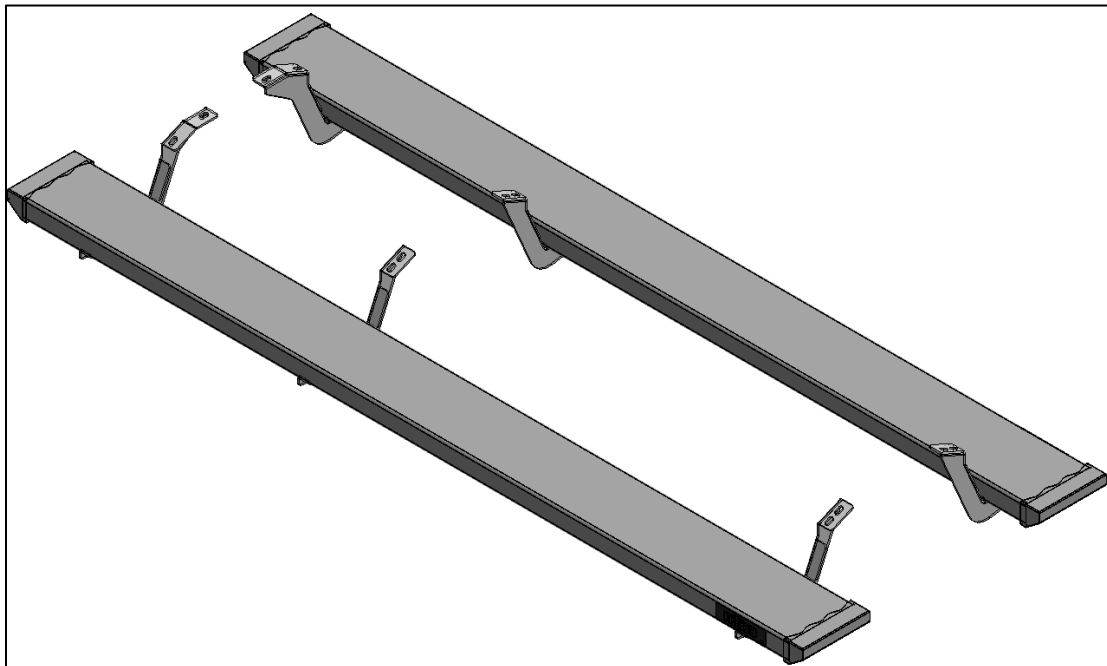
I-SHEET: **INST-00043**
 PART NUMBER: **GFT05CC-TX, GFT05QC-TX**
 PRODUCT: **Growler Running Board**
 APPLICATION: **2005-19 TOYOTA TACOMA**
CREW CAB, QUAD CAB

HARDWARE DESCRIPTION	QTY.
HWKT-00024X	
M8-1.25 X 30MM FLANGED CAP SCREW W/WASHER	12
3/8"-16 X 1" HEX SERRATED FLANGED BOLT	12



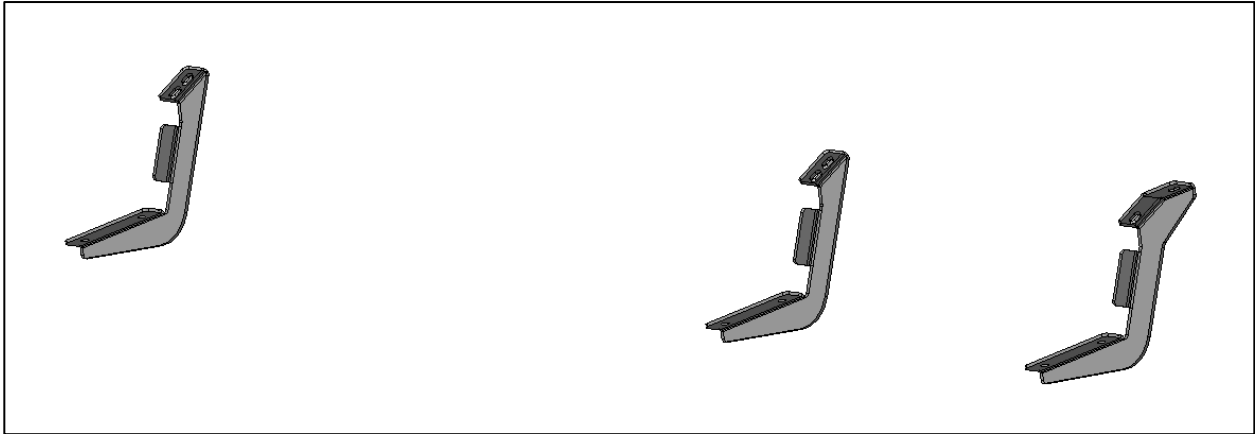
PARTS INCLUDED	QTY
Running Board	2
Rocker Panel mounting Brackets	6
Threaded clamp plates	6

GGROWLER

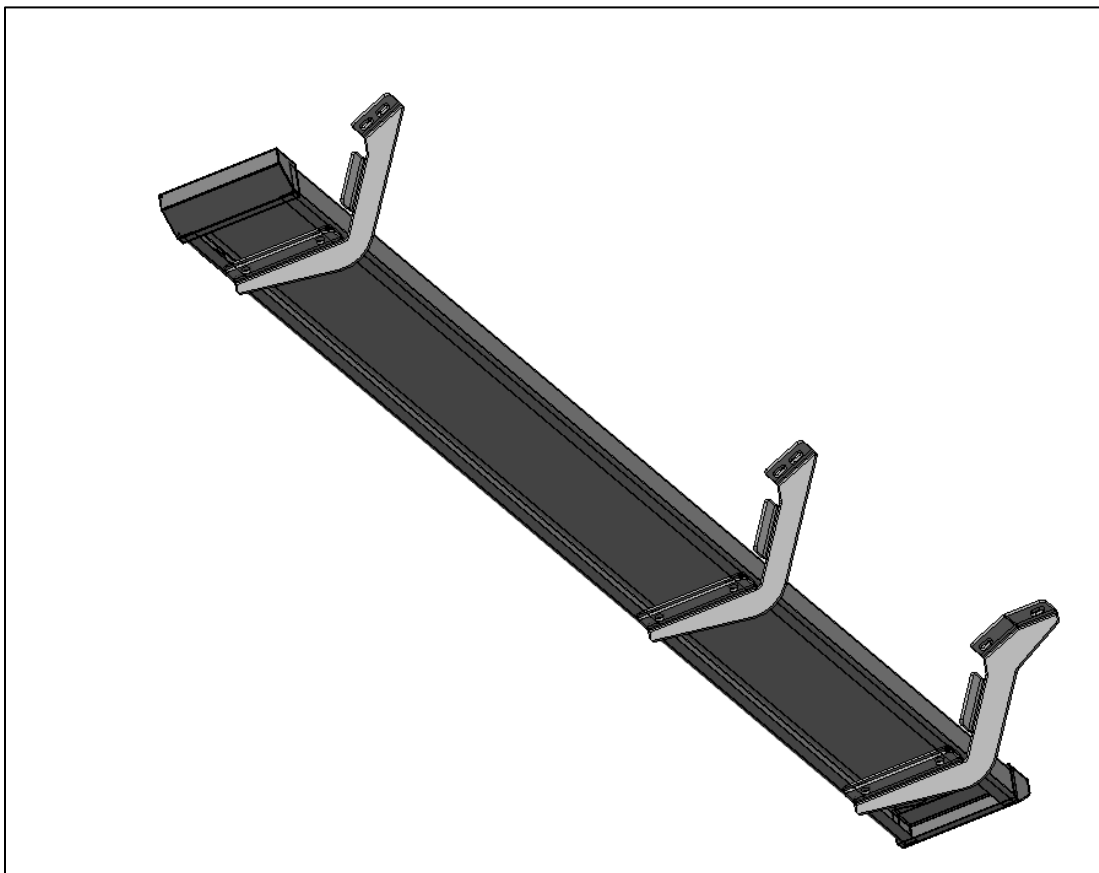


Step 1 Beginning with the driver side, remove the factory hardware and discard.

Step 2 Next, install the three rocker panel mounting brackets with the supplied M8x25mm Hex bolts with integrated washers and leave loose.



Step 3: Set running board along the top of all three brackets and center along the cab.





I-SHEET: **INST-00043**
PART NUMBER: **GFT05CC-TX, GFT05QC-TX**
PRODUCT: **Growler Running Board**
APPLICATION: **2005-19 TOYOTA TACOMA**
CREW CAB, QUAD CAB

Step 4: Insert the supplied threaded brackets (x3) inside the running board lip over the top of each bracket.

Step 5: With the supplied 3/8" x 1" hex bolts, secure each mounting location and leave loose.

Step 6: After final adjustment, tighten all running board threaded mounts.

Step 7: Next, adjust frame brackets so the running board is level with body of the vehicle and tighten all factory-mounting locations.

Step 8: Re-peat steps 2-7 for passenger side.

